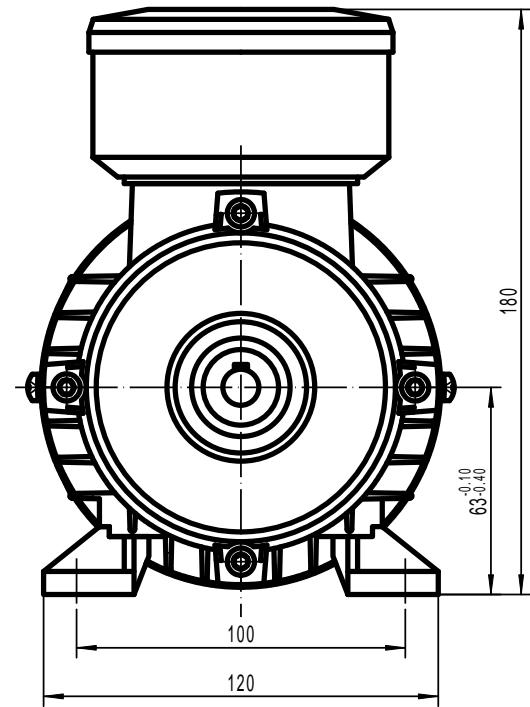
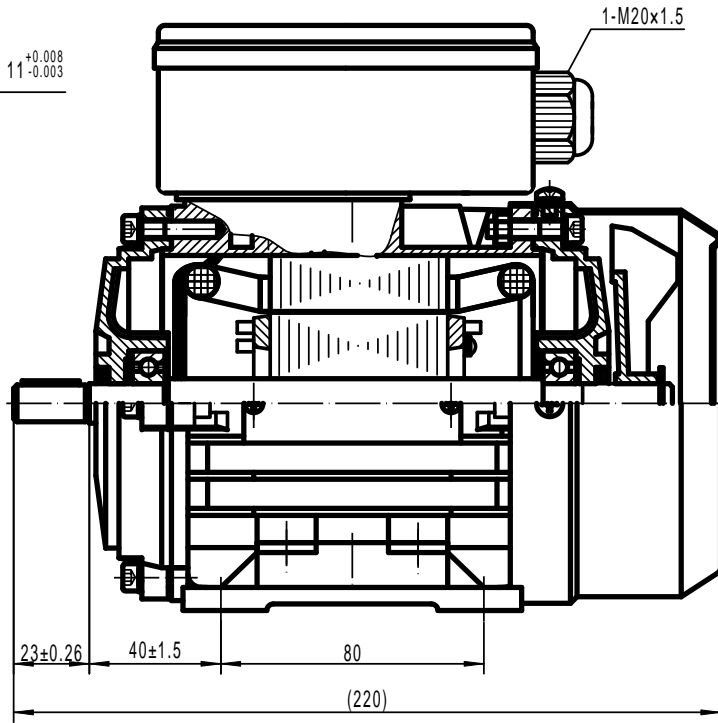
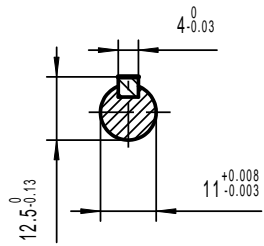


OUTLINE DIMENSIONAL DRAWING



TECHTOP AUSTRALIA PTY LTD	
FRAME	TMY 63A B3
DATE	DRAWING NO.
2008/05/20	1TB.390.006